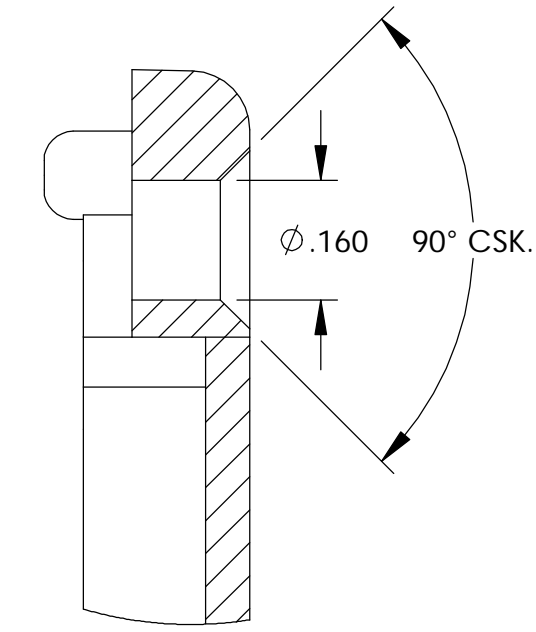


THE INFORMATION CONTAINED IN THIS DRAWING IS THE SOLE PROPERTY OF BUD INDUSTRIES INC. ANY REPRODUCTION IN PART OR WHOLE WITHOUT THE WRITTEN PERMISSION OF BUD INDUSTRIES INC. IS PROHIBITED.

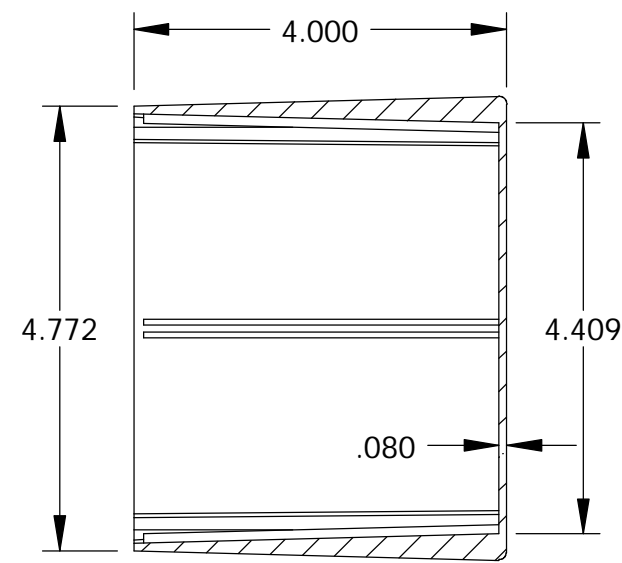
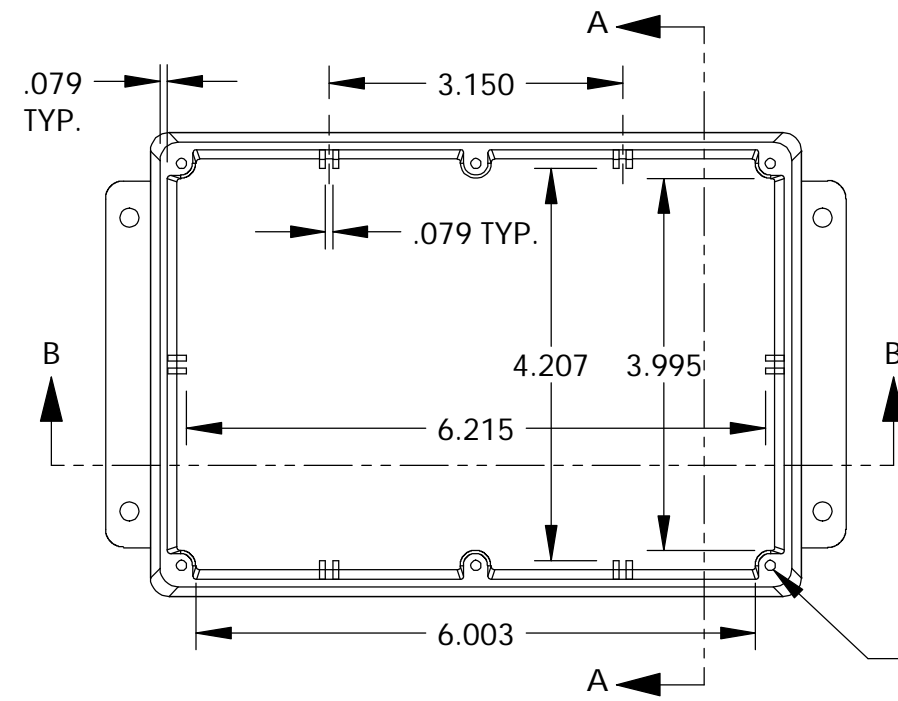
DWG. NO.	CN-6710
ISSUE	REVISIONS

MATERIAL - ALUMINUM ALLOY #ADC-12
 FINISH - NATURAL (CONTACT BUD FACTORY FOR ALTERNATE FINISHES)
 GASKET - RATED IP65 NEOPRENE, SELF-ADHESIVE, 3mm THICK, COLOR BLACK
 SCREWS - STAINLESS STEEL, M3.5 x 12mm LG., CSK. HEAD, SELF-THREADING

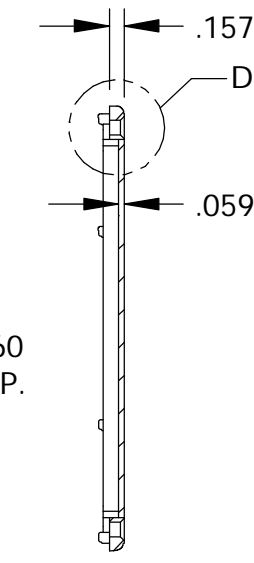
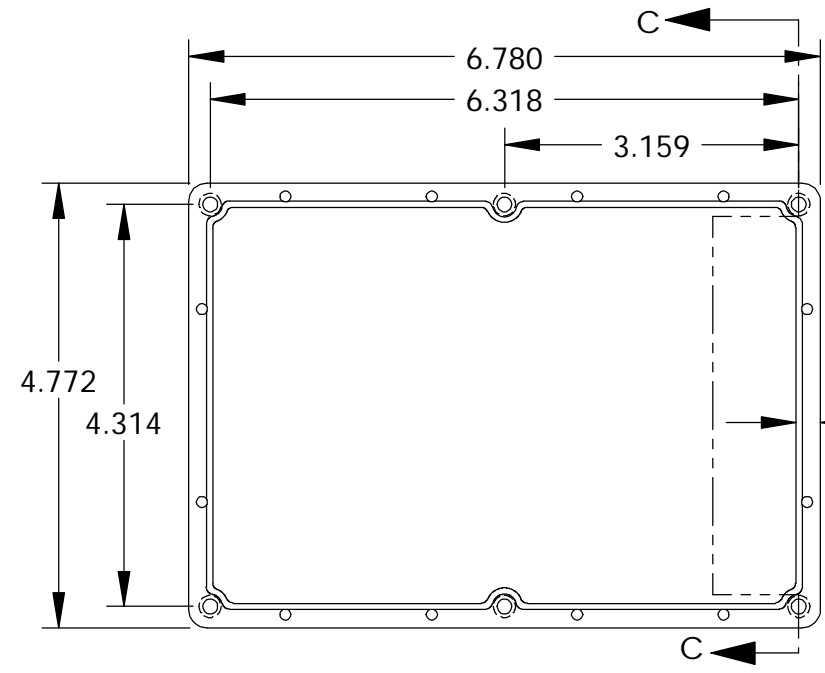
ALL HOLE DIAMETERS HAVE ±.005 TOLERANCE.
 ALL OTHER DIMENSIONS HAVE ±.015 TOLERANCE.
 ENCLOSURES ARE SHIPPED UNASSEMBLED WITH ALL ITEMS SHOWN.



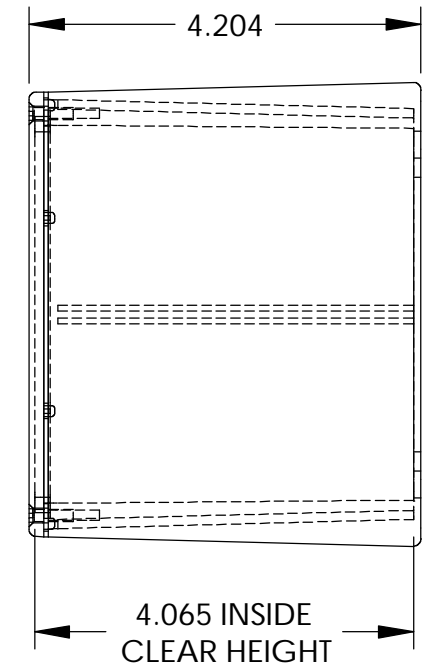
DETAIL D
SCALE 4 : 1



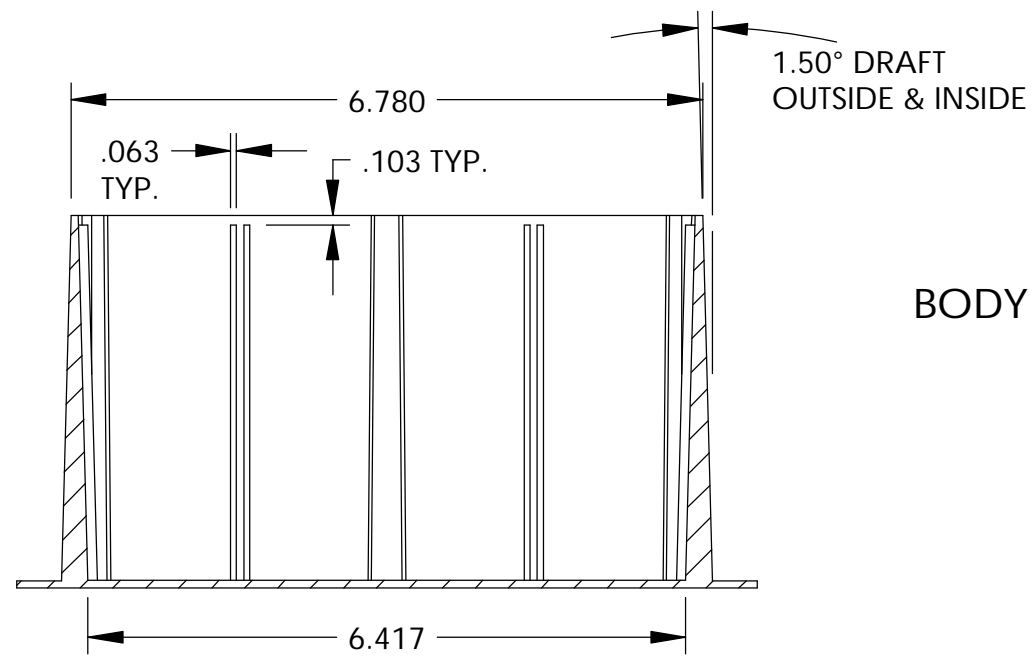
SECTION A-A



SECTION C-C

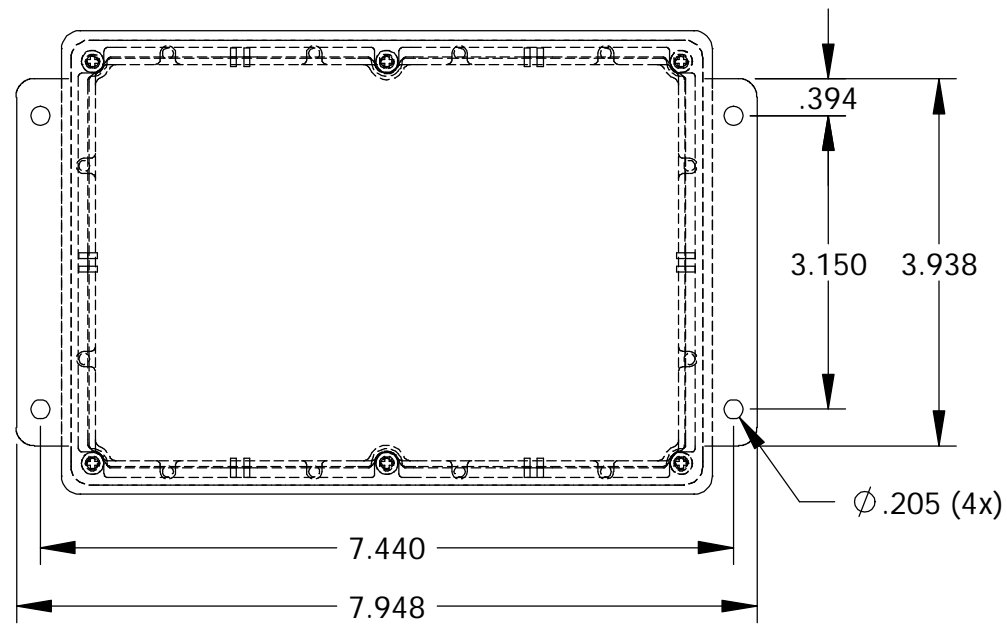
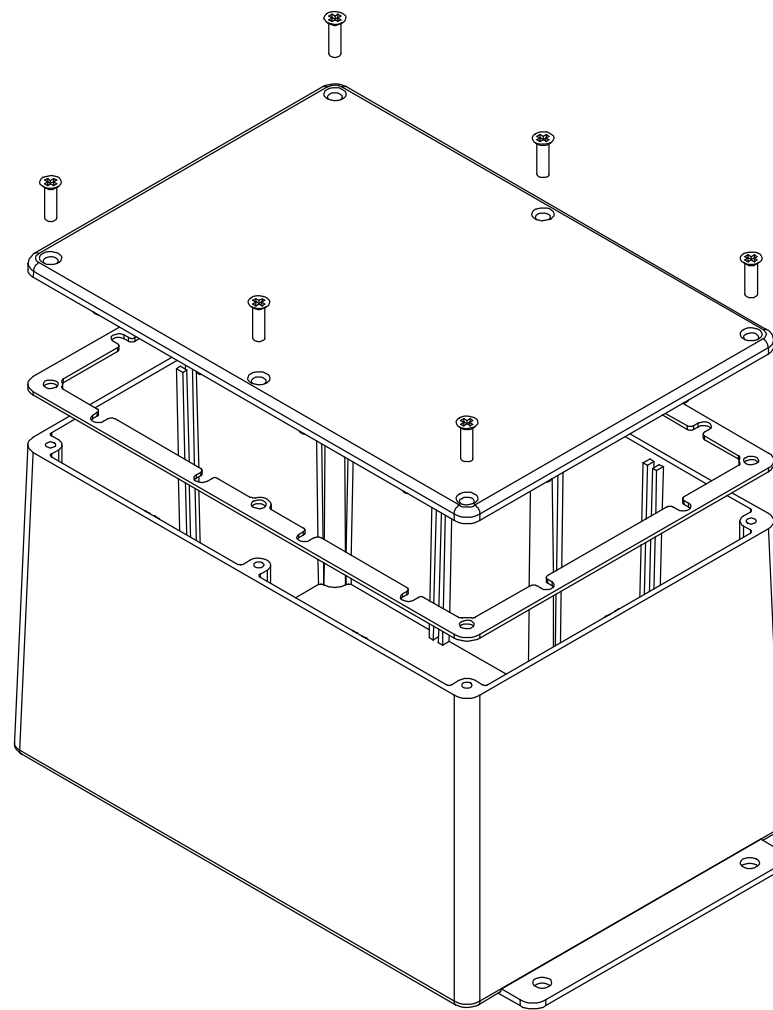


COVER



BODY

SECTION B-B



SECTION C-C

PARTS LIST			
±.005 BETWEEN HOLE CENTERS	CAD GENERATED DRAWING. DO NOT MANUALLY UPDATE	BUD INDUSTRIES INC.	
±.015 FROM SHEARED EDGE	APPROVALS	DATE	DIE CAST ALUMINUM ENCLOSURE
±.032 FROM A BENT SURFACE	DRAWN	4-3-06	
±.062 BETWEEN ASSEMBLED SURFACES	CHECKED		
UNLESS OTHERWISE SPECIFIED	MATERIAL	AS NOTED	
	FINISH	AS NOTED	
	APPROVED		
QTY.	USED ON	DO NOT SCALE DRAWING	SCALE
			DWG. NO. CN-6710
			REV.
			CAD FILE: SHEET 1 OF 1